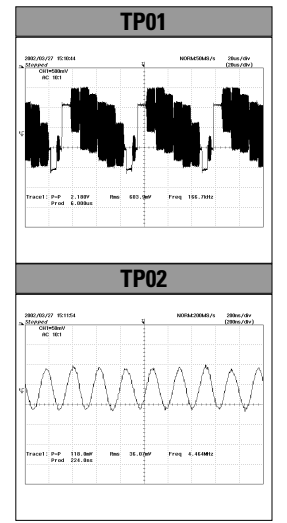
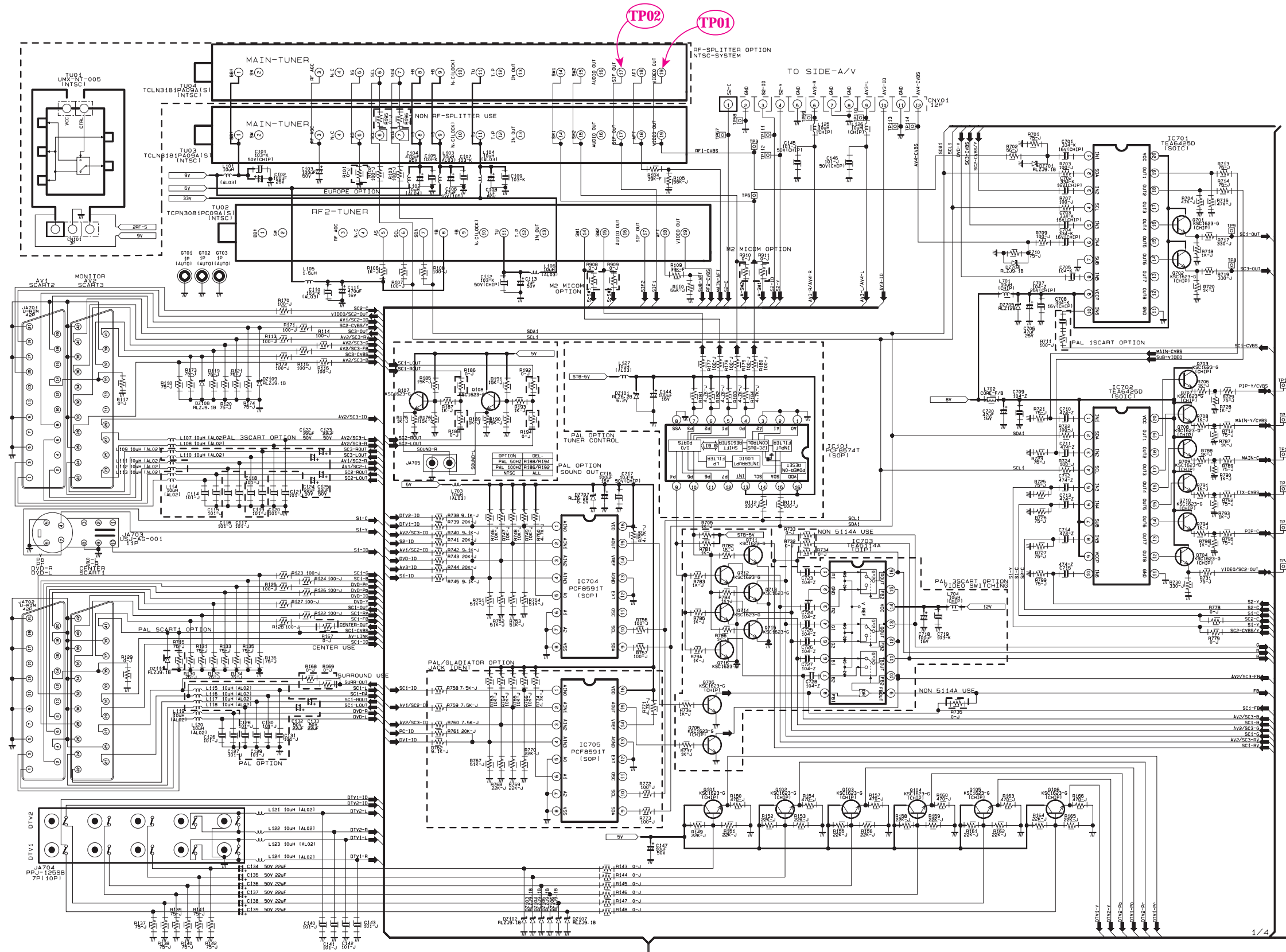
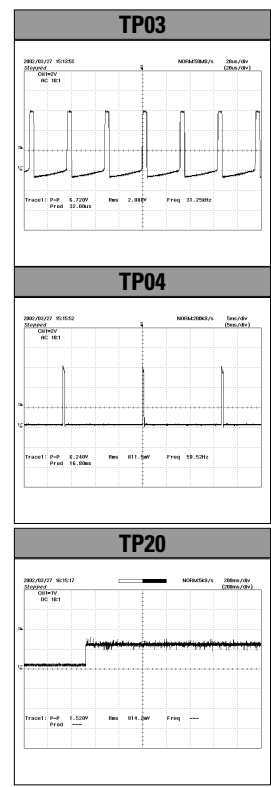
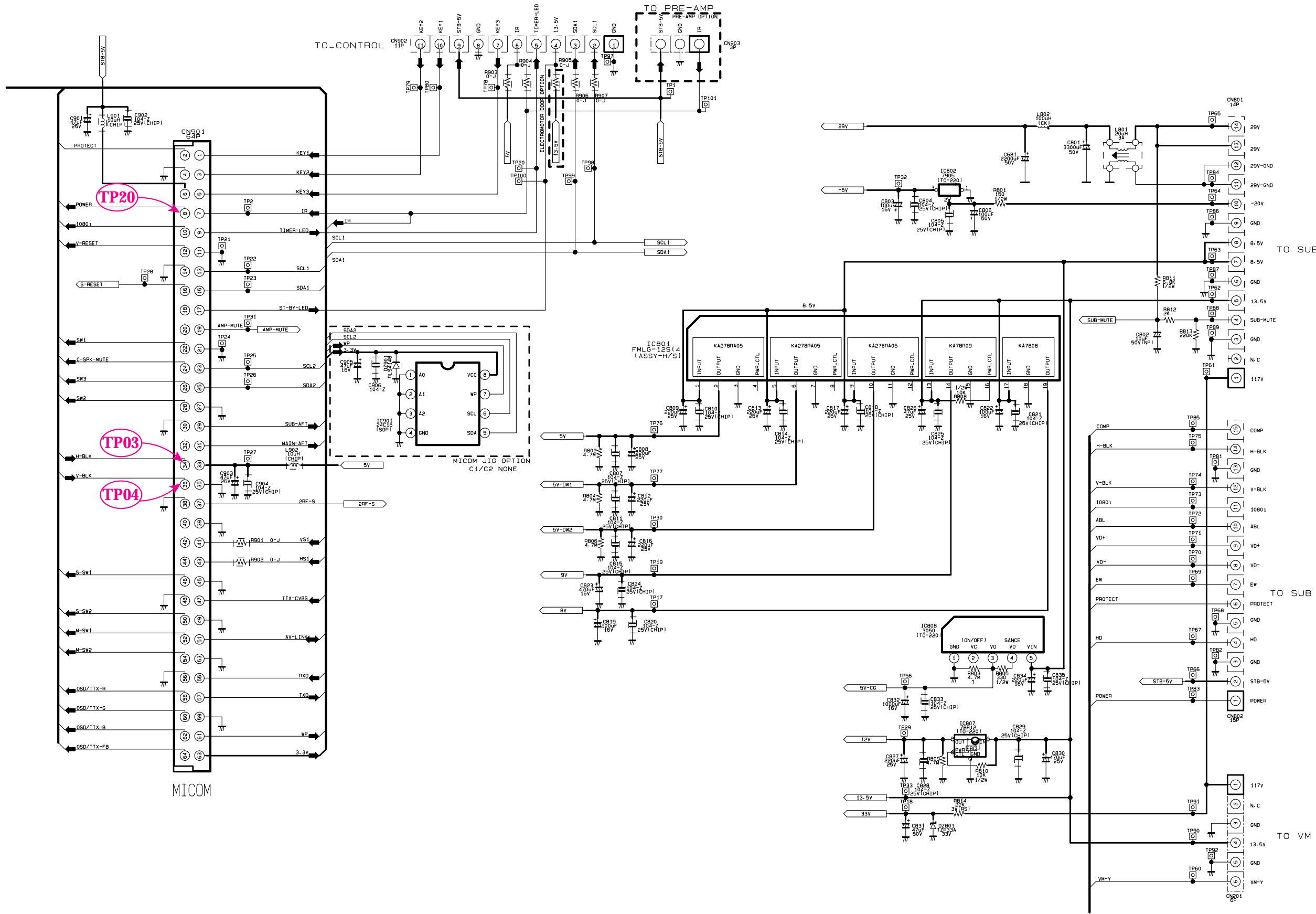


# 10. Schematic Diagrams

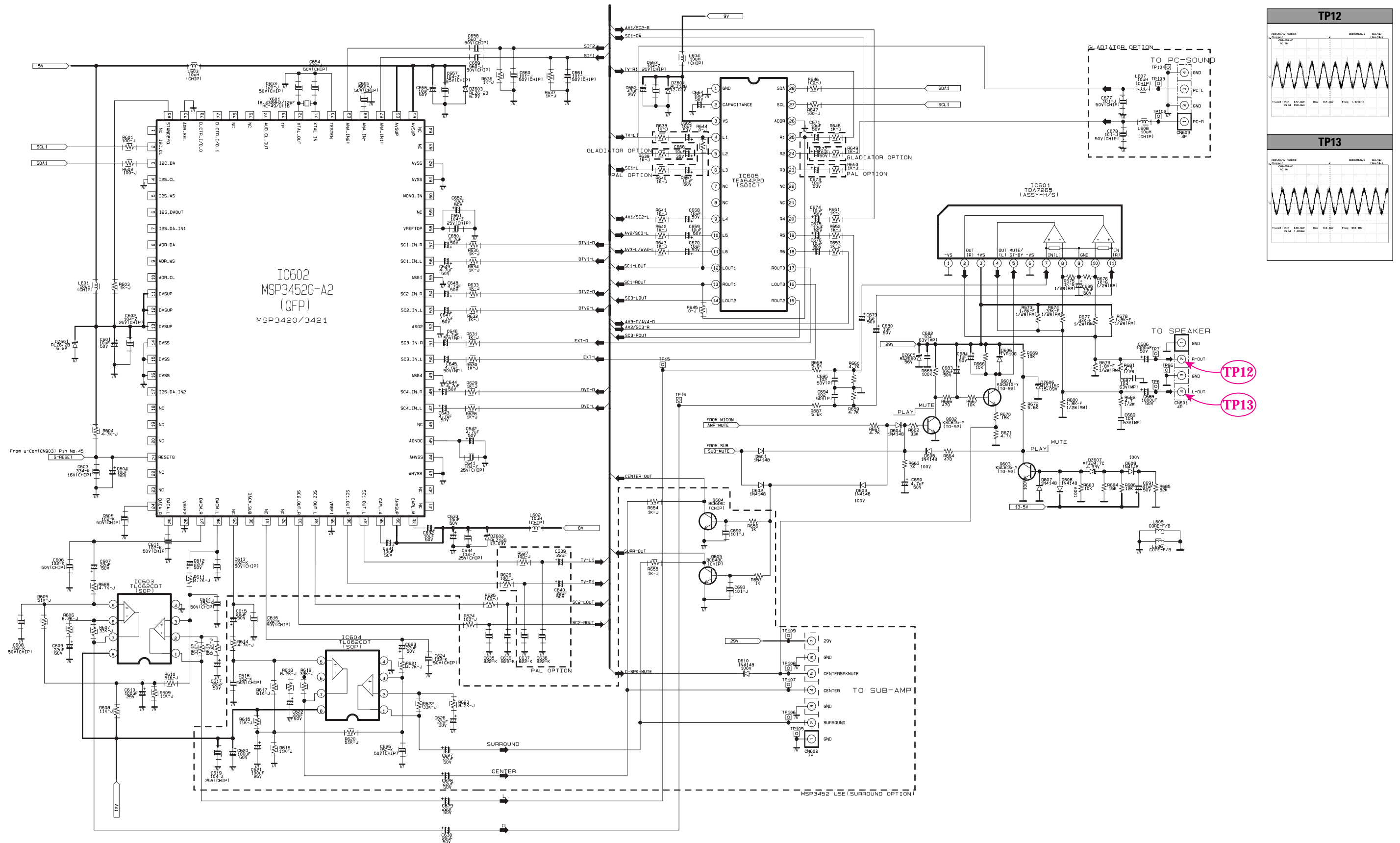
## 10-1 MAIN 1



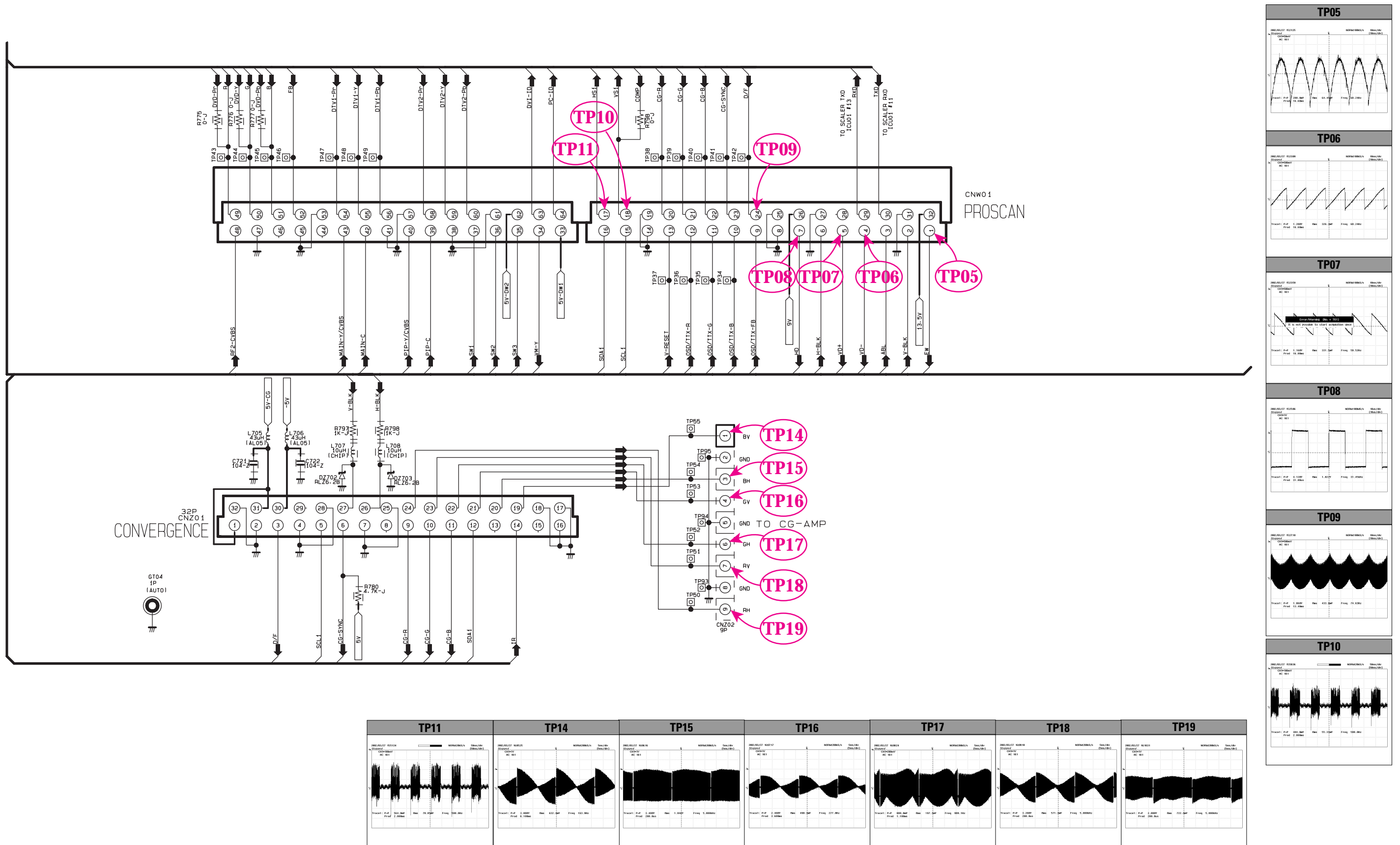
# 10-2 MAIN 2



10-3 MAIN 3

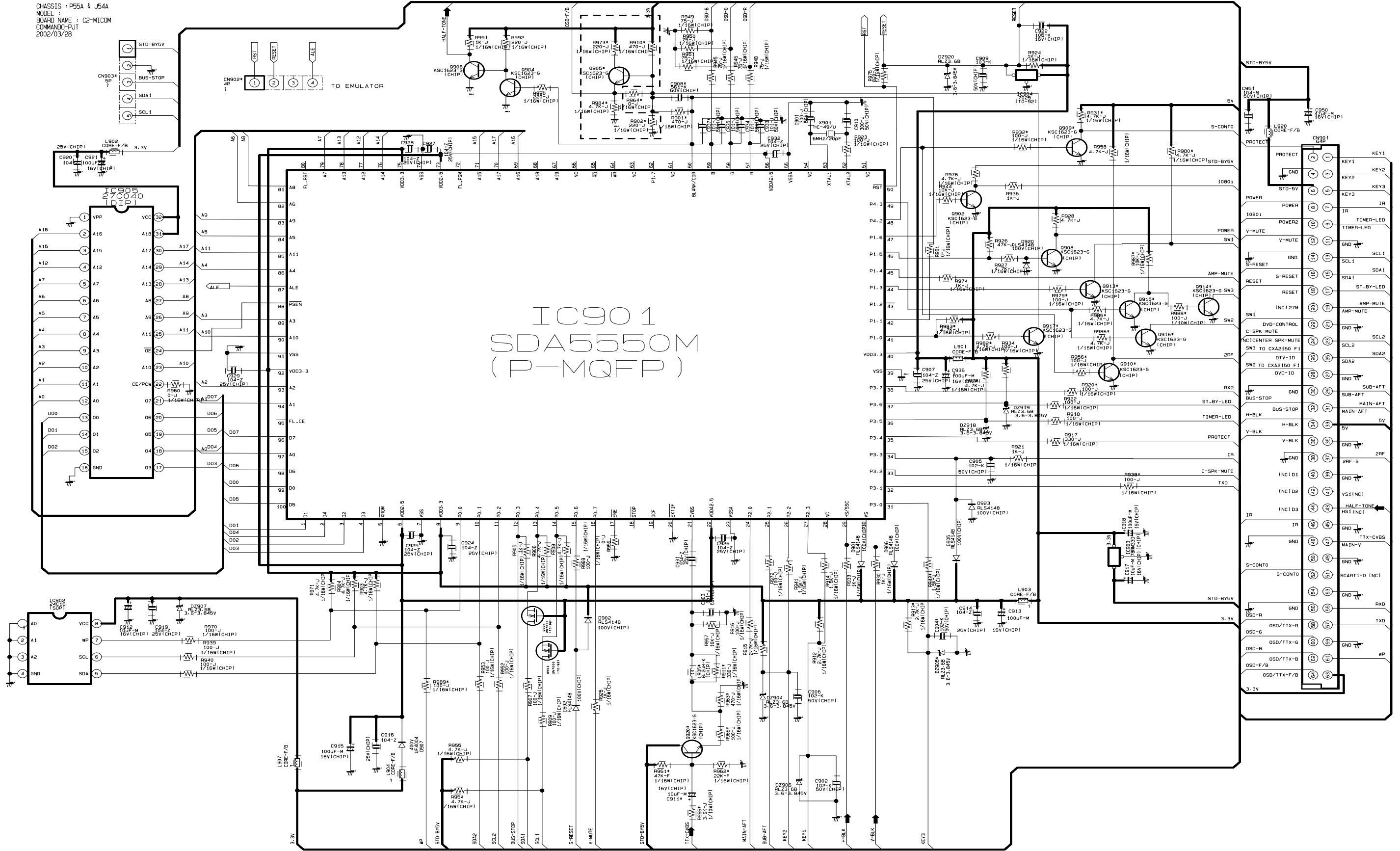


### 10-4 MAIN 4



# 10-5 MICOM

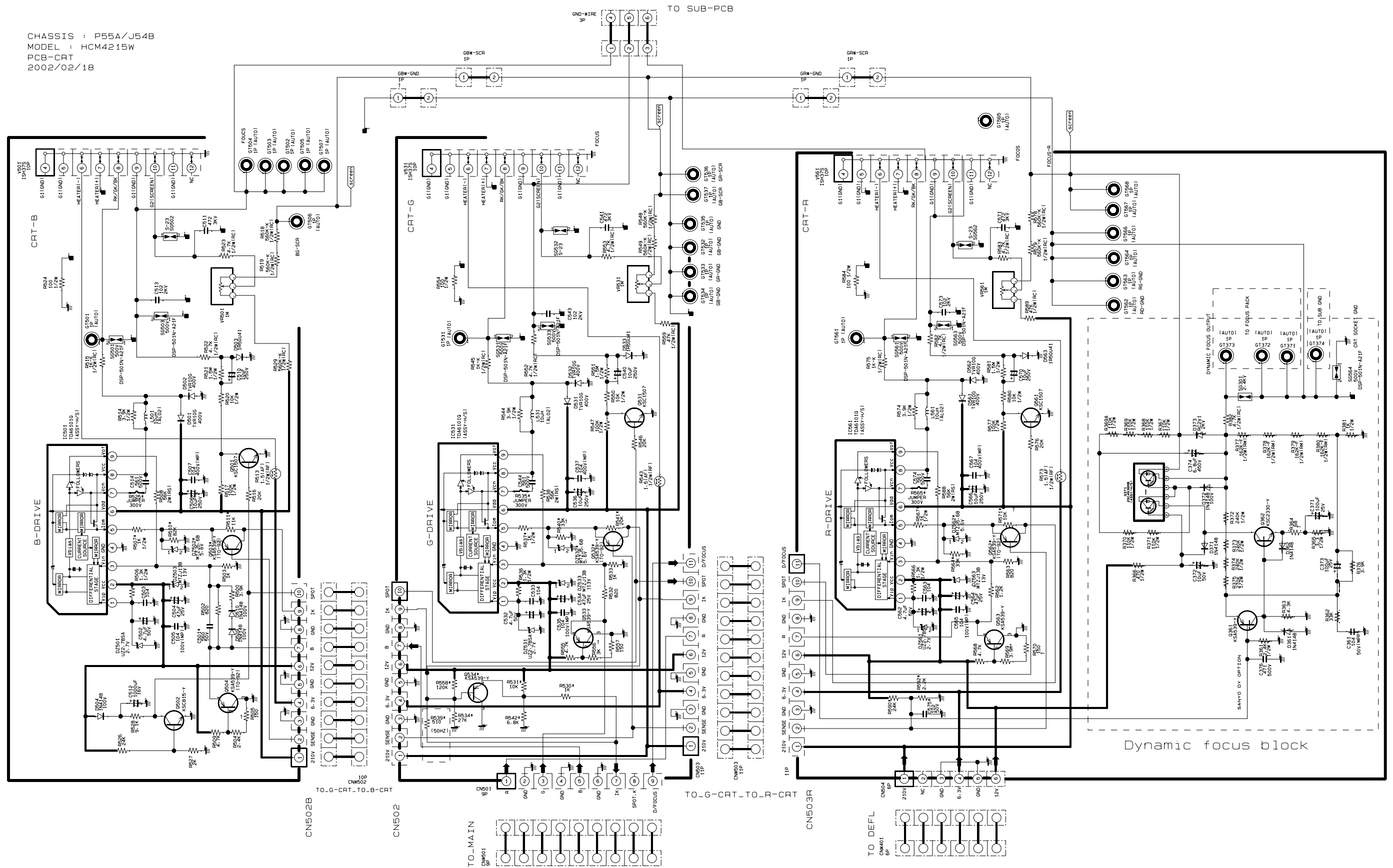
CHASSIS : P55A & J54A  
MODEL :  
BOARD NAME : C2-MICOM  
COMMANDO-PJT  
2002/03/28



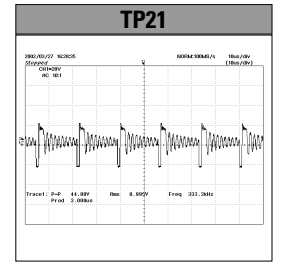
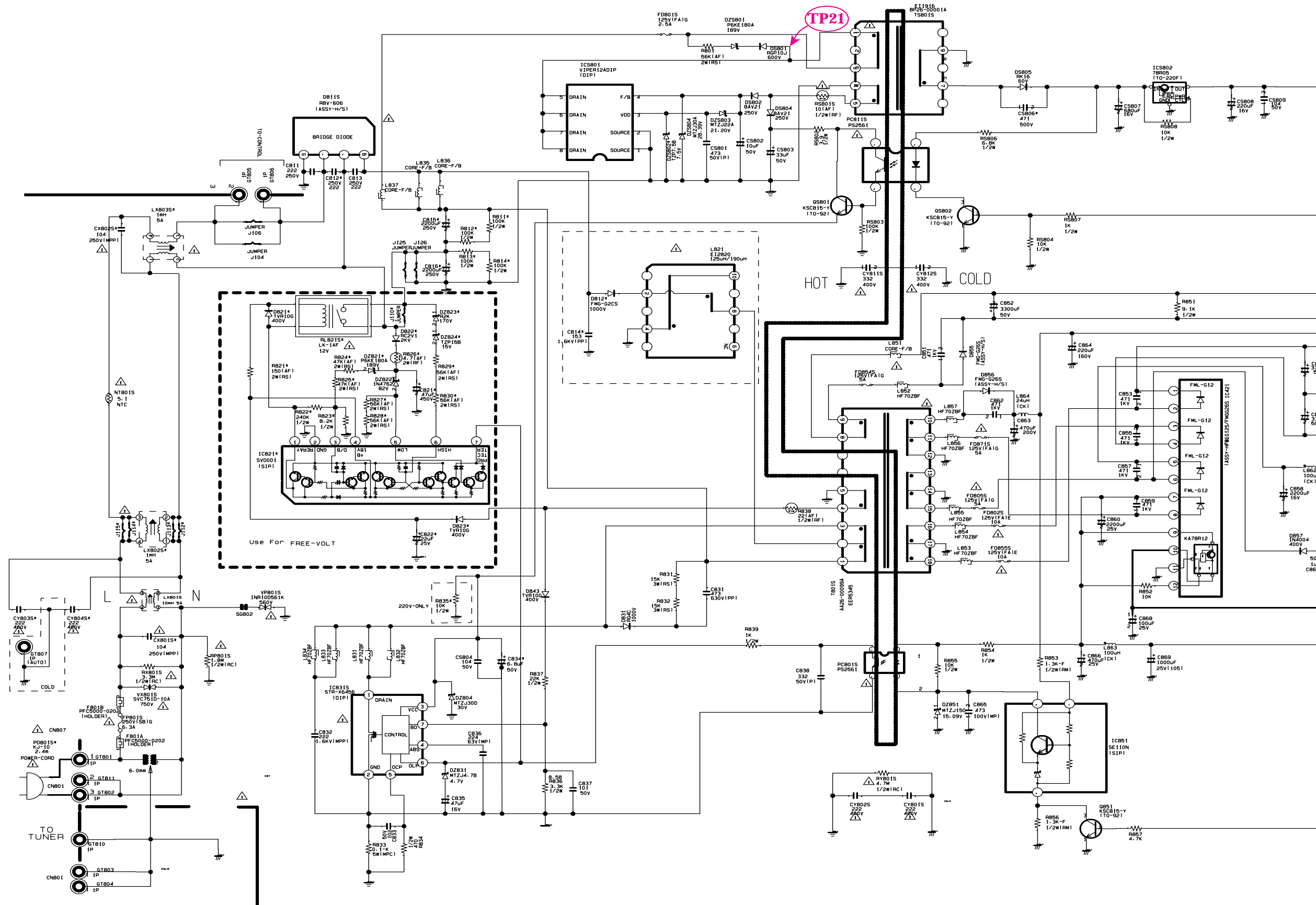
IC901  
SDA5550M  
(P-MQFP)

10-6 CRT

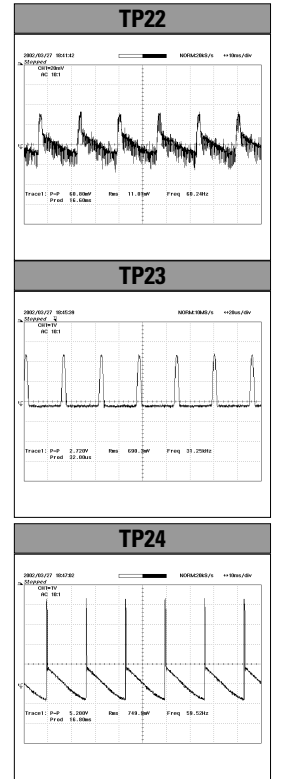
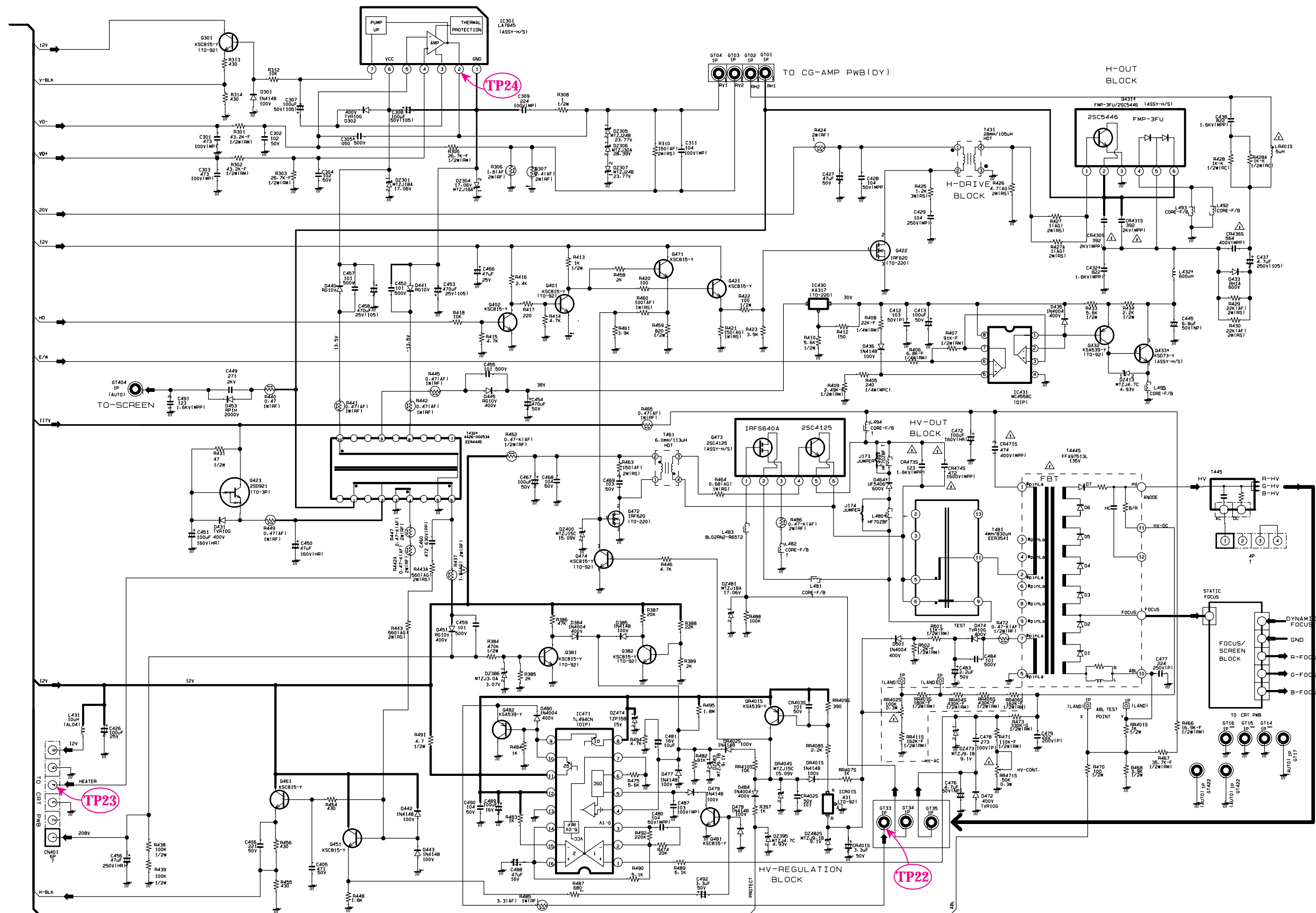
CHASSIS : P55A/J54B  
 MODEL : HCM4215W  
 PCB-CRT  
 2002/02/18



10-7 SUB 1



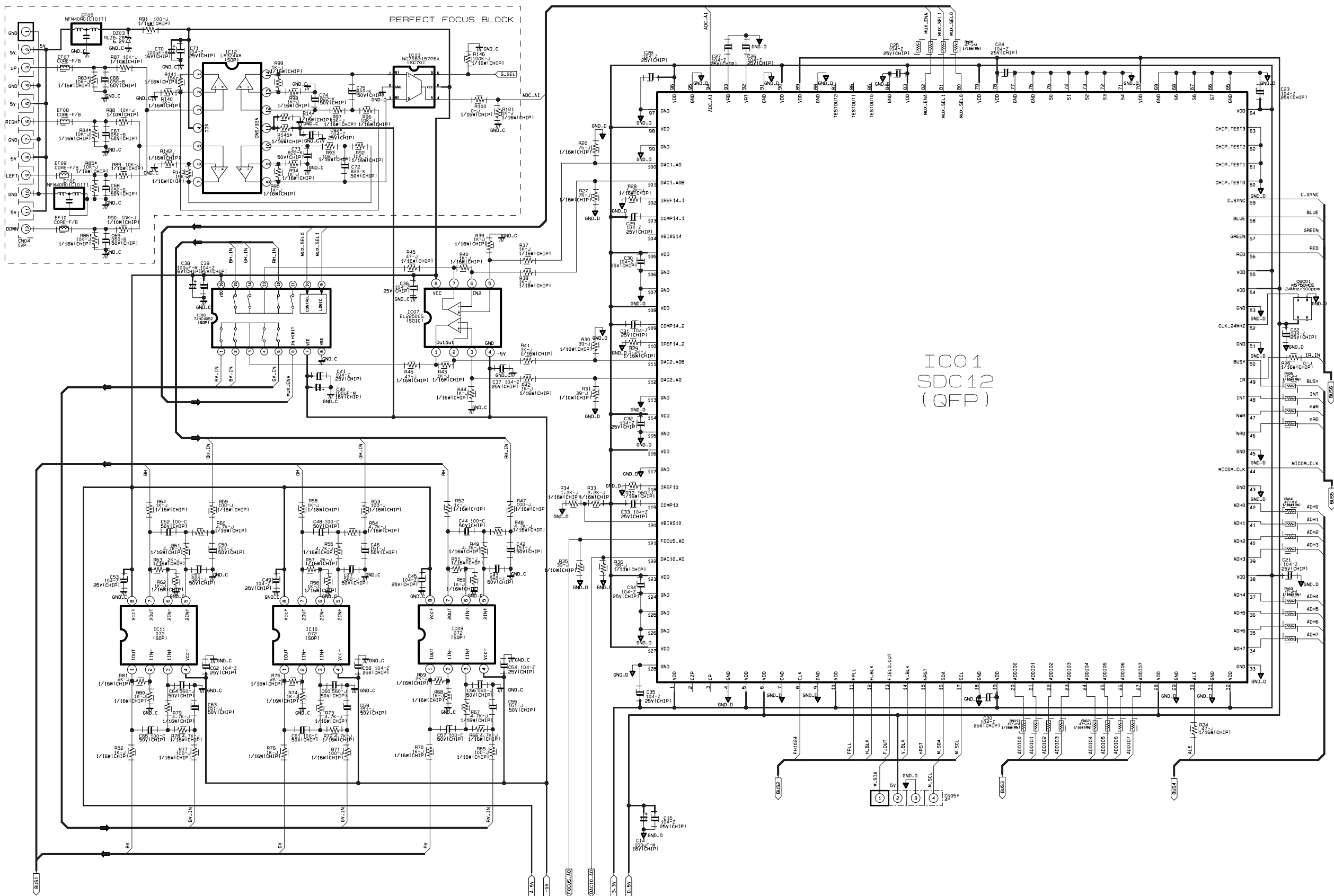
10-8 SUB 2





# 10-9 CONVERGENCE ( SDC12 - 1 )

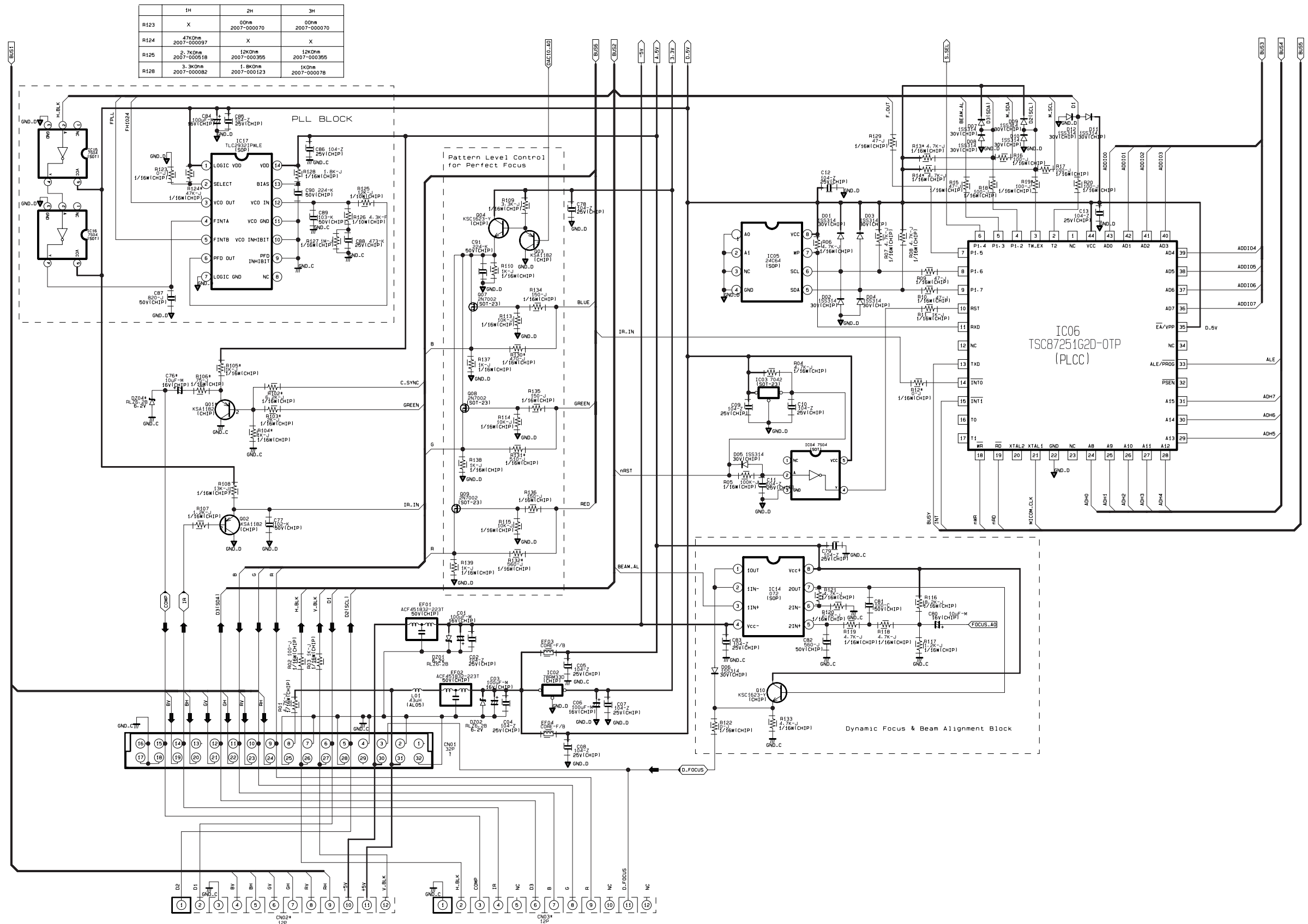
This drawing is property of SEC.  
Use or copy of this drawing without proper permission from the appropriate technical-document managing department is prohibited.



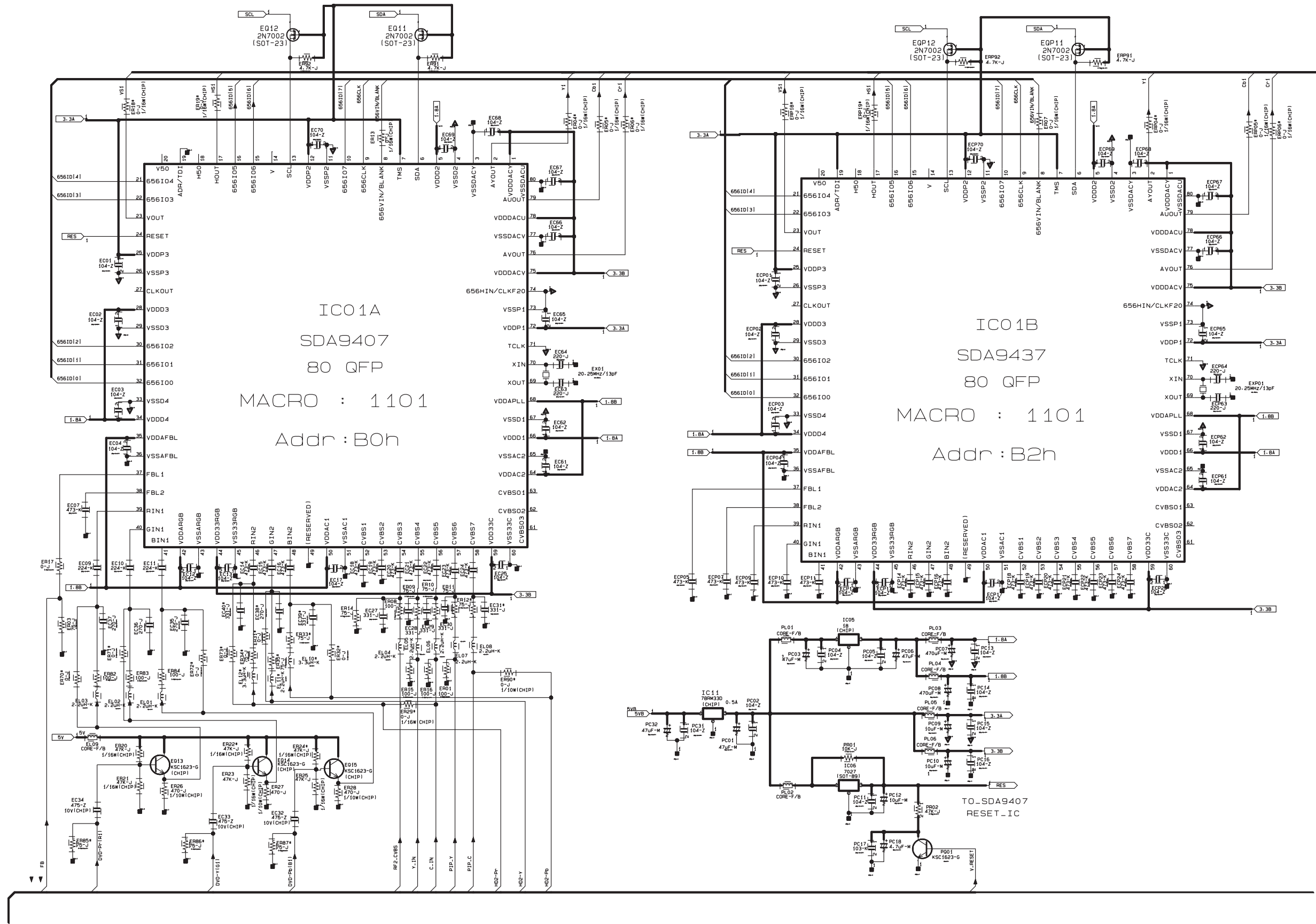
IC01  
SDC12  
(QFP)

# 10-10 CONVERGENCE ( SDC12 - 2 )

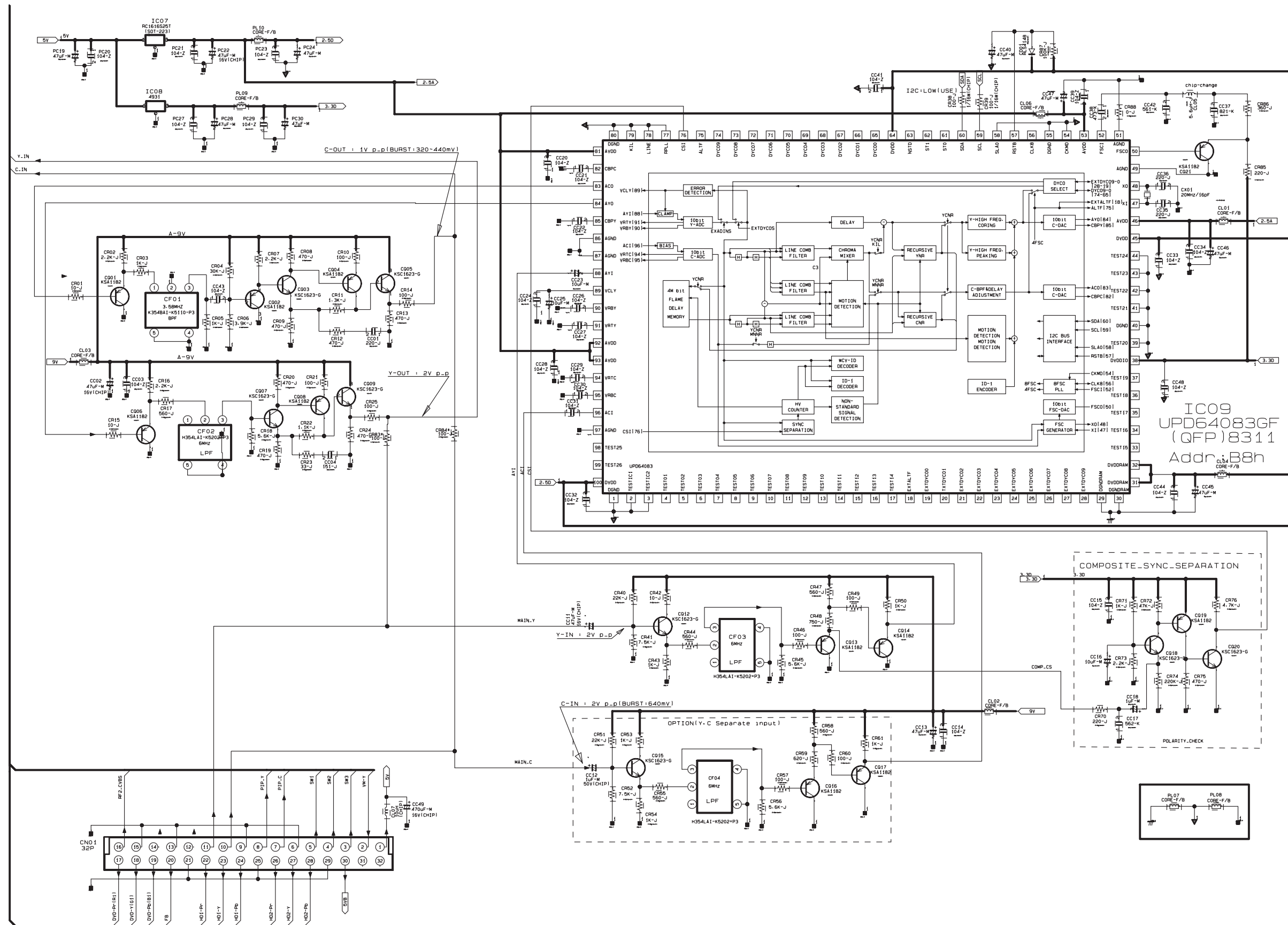
This drawing is property of SEC  
Use or copy of this drawing without proper permission from the appropriate  
technical-document managing department is prohibited.



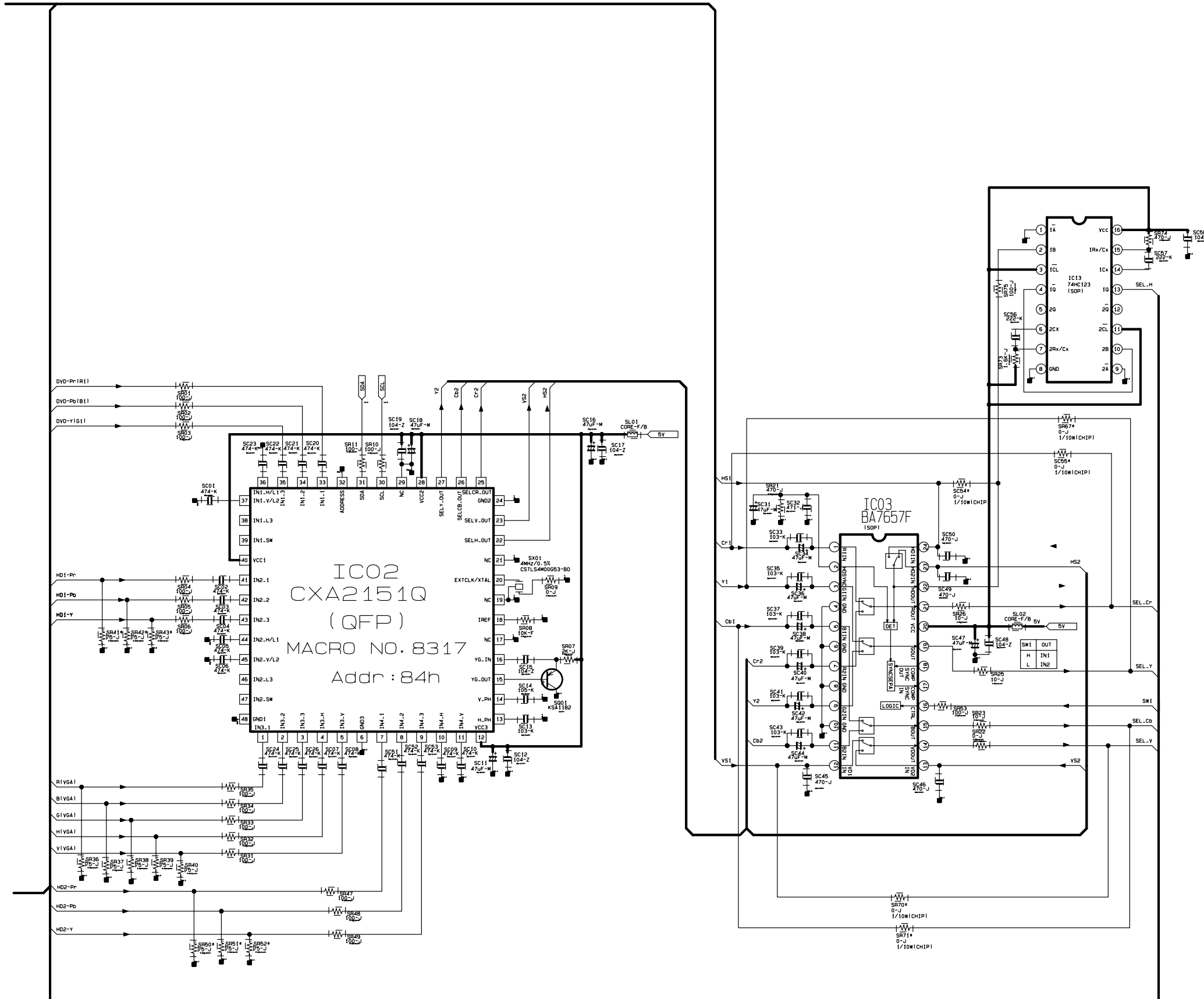
# 10-11 PRO SCAN 1



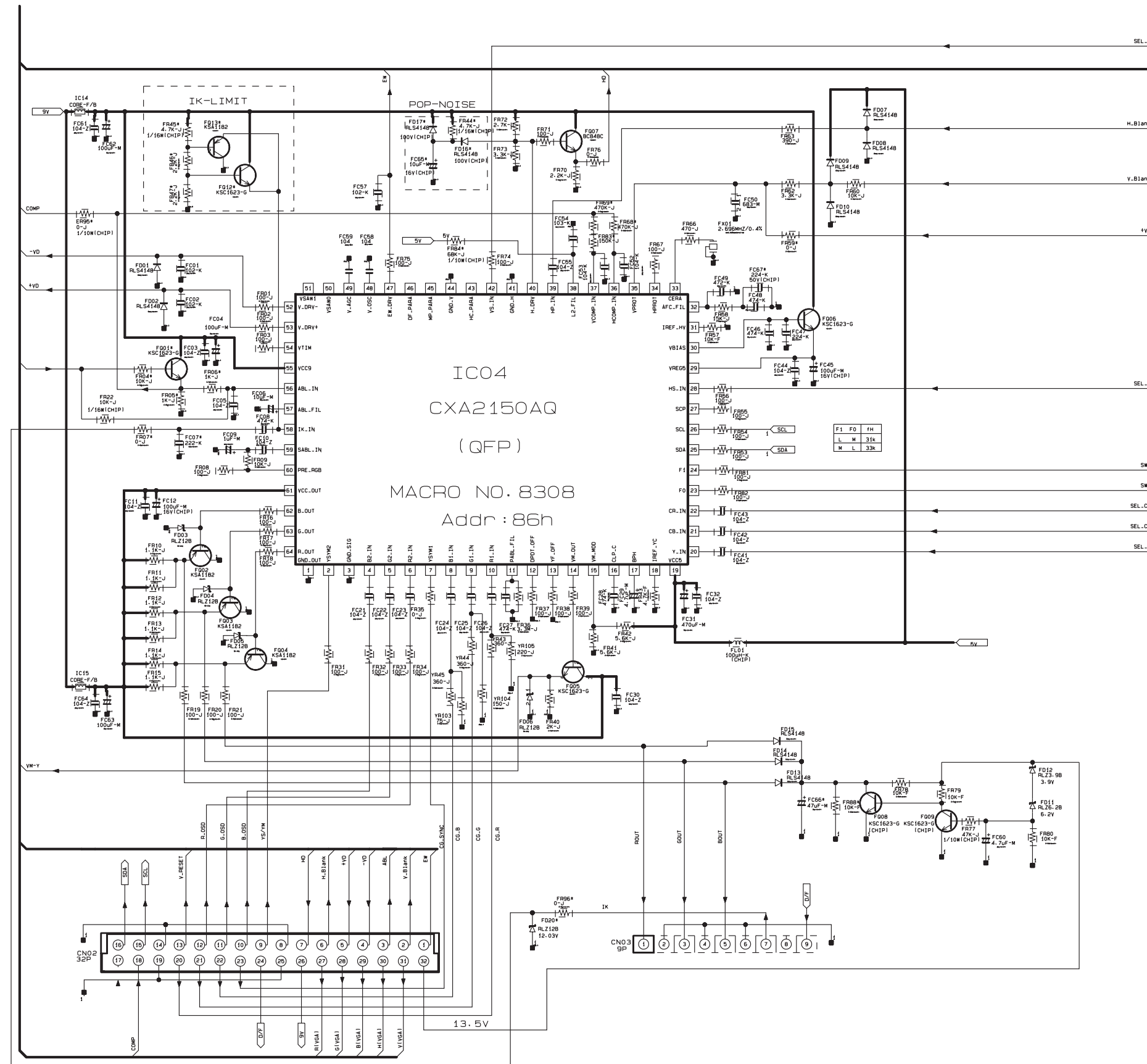
# 10-12 PRO SCAN 2



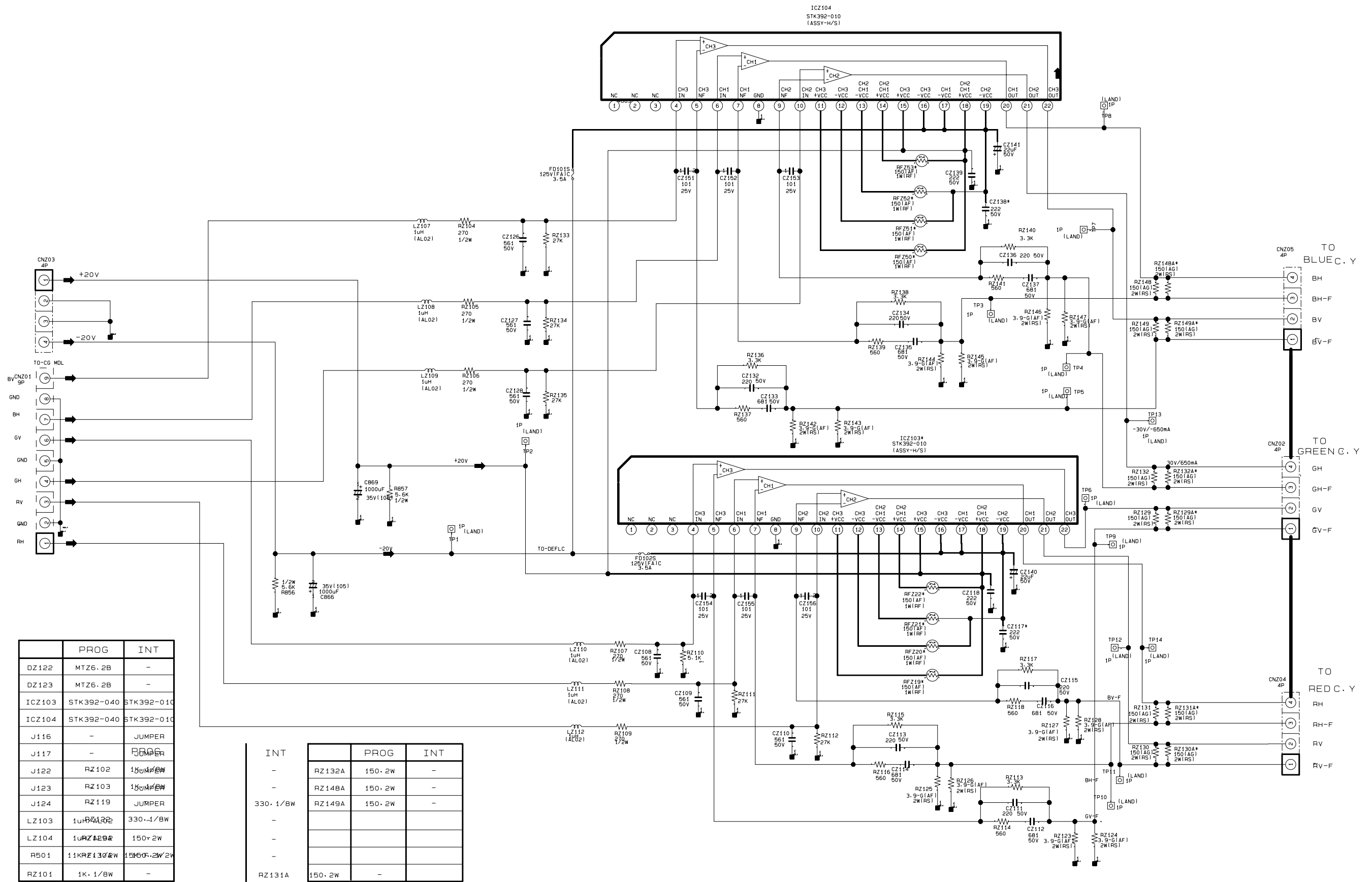
10-13 PRO SCAN 3



# 10-14 PRO SCAN 4



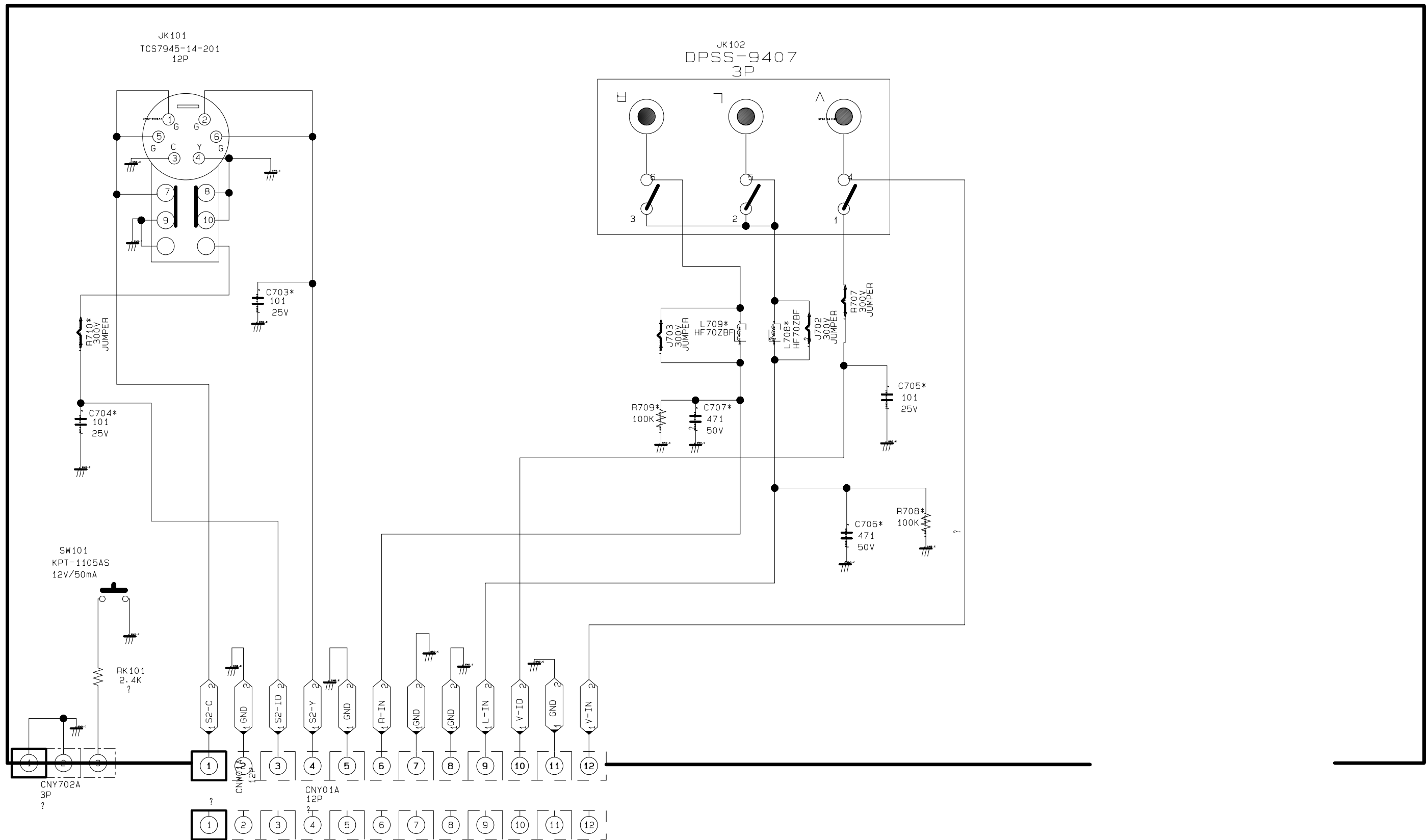
10-15 CG AMP



	PROG	INT
DZ122	MTZ6-2B	-
DZ123	MTZ6-2B	-
ICZ103	STK392-040	STK392-010
ICZ104	STK392-040	STK392-010
J116	-	JUMPER
J117	-	JUMPER
J122	RZ102	150-2W
J123	RZ103	150-2W
J124	RZ119	JUMPER
LZ103	1uH AL02	330-1/BW
LZ104	1uH AL02	150-2W
R501	11K 1/2W	150-2W
RZ101	1K-1/BW	-

INT	PROG	INT
-	RZ132A	150-2W
-	RZ148A	150-2W
-	RZ149A	150-2W
330-1/BW		
-		
-		
-		
RZ131A	150-2W	-

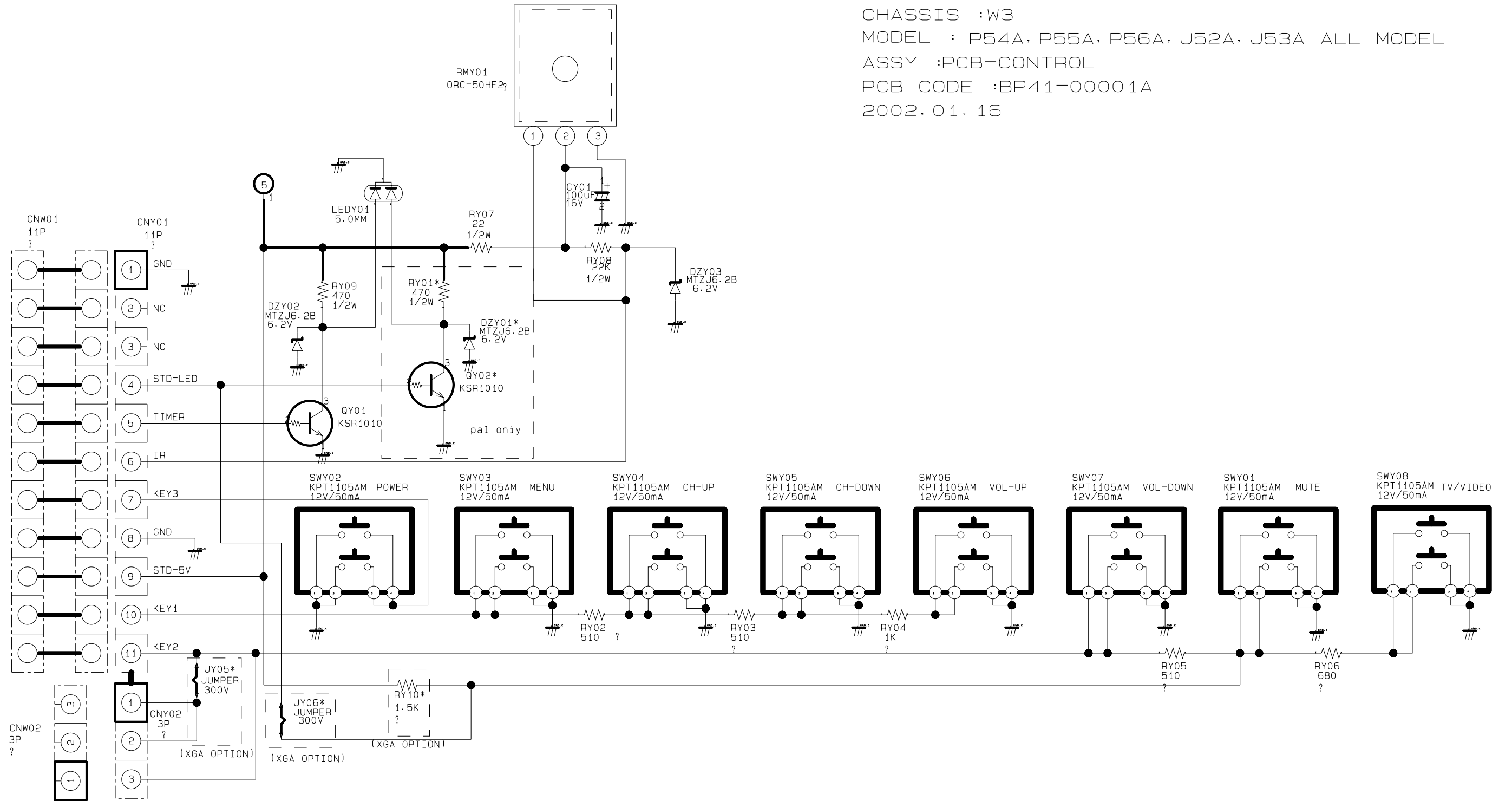
10-16 AV FRONT





10-17 CONTROL

CHASSIS :W3  
 MODEL : P54A, P55A, P56A, J52A, J53A ALL MODEL  
 ASSY :PCB-CONTROL  
 PCB CODE :BP41-00001A  
 2002.01.16



10-18 DY JACK, SENSOR

